

HIGH TEMPERATURE INDUCTIVE PROXIMITY SENSORS

Sensing Distance: **2 mm** - Housing Diameter: **M8**

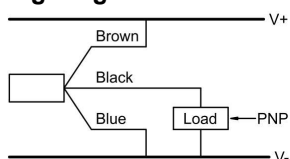


	Technical Data:																									
	<table border="1"> <tr><td>Mounting:</td><td>Shielded</td></tr> <tr><td>Sensing range in mm:</td><td>2</td></tr> <tr><td>Supply voltage:</td><td>10-35 VDC</td></tr> <tr><td>Output function:</td><td>N.O. or N.C.</td></tr> <tr><td>Load current:</td><td>120 mA up to +130 °C 70 mA up to +140 °C</td></tr> <tr><td>Switching Frequency:</td><td>800 Hz</td></tr> <tr><td>Short circuit limit:</td><td>400 mA</td></tr> <tr><td>Cable:</td><td>Silicone</td></tr> <tr><td>Operating temperature:</td><td>-25 to +140 °C</td></tr> <tr><td>Target size:</td><td>8 x 8 x 1 mm ST37</td></tr> <tr><td>Hysteresis:</td><td>3 to 15 %</td></tr> <tr><td>LED:</td><td>No</td></tr> <tr><td>Options:</td><td>Cable length, Cable type</td></tr> </table>	Mounting:	Shielded	Sensing range in mm:	2	Supply voltage:	10-35 VDC	Output function:	N.O. or N.C.	Load current:	120 mA up to +130 °C 70 mA up to +140 °C	Switching Frequency:	800 Hz	Short circuit limit:	400 mA	Cable:	Silicone	Operating temperature:	-25 to +140 °C	Target size:	8 x 8 x 1 mm ST37	Hysteresis:	3 to 15 %	LED:	No	Options:
Mounting:	Shielded																									
Sensing range in mm:	2																									
Supply voltage:	10-35 VDC																									
Output function:	N.O. or N.C.																									
Load current:	120 mA up to +130 °C 70 mA up to +140 °C																									
Switching Frequency:	800 Hz																									
Short circuit limit:	400 mA																									
Cable:	Silicone																									
Operating temperature:	-25 to +140 °C																									
Target size:	8 x 8 x 1 mm ST37																									
Hysteresis:	3 to 15 %																									
LED:	No																									
Options:	Cable length, Cable type																									
<p>Dimensions are in mm.</p> <table border="1"> <thead> <tr><th colspan="2">Part Numbers:</th></tr> </thead> <tbody> <tr><td>PNP/NO</td><td>SIHTM-98-102</td></tr> <tr><td> </td><td> </td></tr> <tr><td>NPN/NO</td><td>SIHTM-98-101</td></tr> <tr><td> </td><td> </td></tr> </tbody> </table>	Part Numbers:		PNP/NO	SIHTM-98-102			NPN/NO	SIHTM-98-101																		
Part Numbers:																										
PNP/NO	SIHTM-98-102																									
NPN/NO	SIHTM-98-101																									

This sensor has the following specifications:

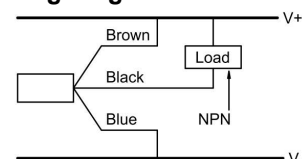
- | | |
|---|--|
| <ul style="list-style-type: none"> * The EMC (Electromagnetic Compatibility) resistance of the switches:
IEC 61000-4-2 Level 2 IEC 61000-4-4 Level 2
IEC 61000-4-3 Level 2 IEC 60255-5 1 kV * Sensing range can vary +/-10 %. * Voltage spikes (300 V for 1 ms, 10 Hz) * All standard cables are 3 x 0.25 mm² and a length of 2 m +/-5 %. * Output capacity is 100 nF. * Storage temperature -13 °F to + 176 °F (-25 °C to 80 °C). * Relative humidity is 100 %. | <ul style="list-style-type: none"> * Vibration resistant to 1 mm amplitude at 55 Hz. * Shock resistant to 10 g for a period of 11 ms. * Degree of protection (DIN 40 050) is IP67 (higher IP options may be available). * Reverse polarity protection is incorporated on the supply voltage. * Load resistor of 100 kOhm is incorporated. * Leakage current is 4 mA at 24 V supply voltage. * Residual ripple is 15 %. * Voltage drop is approximately 2 V when sensor is on. * Sensing face material is: LPC-Vectra. |
|---|--|

Wiring Diagram PNP NO/NC



Special types and silicone free versions are available upon request

Wiring Diagram NPN NO/NC



Design and technical details subject to change


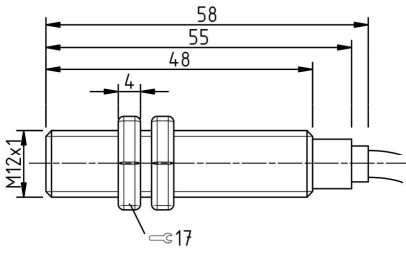
Schlüter Automation und Sensorik GmbH
Bergstr. 2
D-79674 Todtnau
Germany

Tel.: +49 7671 99256-0
Fax: +49 7671 99256-50
www.schlüter-automation.de
mail@schlüter-automation.de

HIGH TEMPERATURE INDUCTIVE PROXIMITY SENSORS

Sensing Distance: 3mm - Housing Diameter: M12


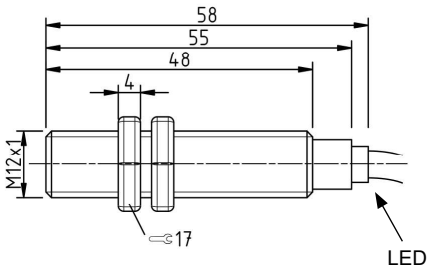


Dimensions are in mm.

Part Numbers:	
PNP/NO	SIHTM-912-102
PNP/NC	SIHTM-912-106
NPN/NO	SIHTM-912-101
NPN/NC	SIHTM-912-105

Technical Data:	
Mounting:	Shielded
Sensing range in mm:	3
Supply voltage:	10-35 VDC
Output function:	N.O. or N.C.
Load current:	120 mA up to 266 °F (130 °C), 70 mA up to 302 °F (150 °C)
Switching Frequency:	500 Hz
Short circuit limit:	400 mA
Cable:	Silicone
Operating temperature:	-25 to +150 °C
Target size:	12 x 12 x 1 mm ST37
Hysteresis:	3 to 15 %
LED:	No
Options:	Cable length, Cable type

Dimensions are in mm.

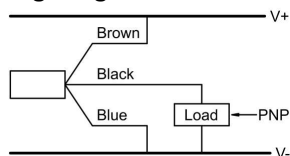
Part Numbers:	
PNP/NO	SIHTM-912-102-LED
PNP/NC	SIHTM-912-106-LED
NPN/NO	SIHTM-912-101-LED
NPN/NC	SIHTM-912-105-LED

Technical Data:		with LED
Mounting:	Shielded	
Sensing range in mm:	3	
Supply voltage:	10-35 VDC	
Output function:	N.O. or N.C.	
Load current:	120 mA	
Switching Frequency:	500 Hz	
Short circuit limit:	400 mA	
Cable:	Silicone	
Operating temperature:	-25 to +130 °C	
Target size:	12 x 12 x 1 mm ST37	
Hysteresis:	3 to 15 %	
LED:	Yes	
Options:	Cable length, Cable type	

These sensors share the following specifications:

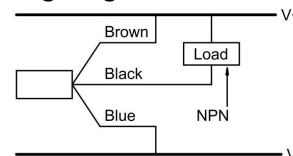
- * The EMC (Electromagnetic Compatibility) resistance of the switches:
 - IEC 61000-4-2 Level 2
 - IEC 61000-4-3 Level 2
 - IEC 61000-4-4 Level 2
 - IEC 60255-5 1 kV
- * Sensing range can vary +/-10 %.
- * Voltage spikes (300 V for 1 ms, 10 Hz)
- * All standard cables are 3 x 0.25 mm² and a length of 2 m +/-5 %.
- * Output capacity is 100 nF.
- * Storage temperature -13 °F to + 176 °F (-25 °C to 80 °C).
- * Relative humidity is 100 %.
- * Vibration resistant to 1 mm amplitude at 55 Hz.
- * Shock resistant to 10 g for a period of 11 ms.
- * Degree of protection (DIN 40 050) is IP67 (higher IP options may be available).
- * Reverse polarity protection is incorporated on the supply voltage.
- * Load resistor of 100 kOhm is incorporated.
- * Leakage current is 4 mA at 24 V supply voltage.
- * Residual ripple is 15 %.
- * Voltage drop is approximately 2 V when sensor is on.
- * Sensing face material is: LPC-Vectra.

Wiring Diagram P5P NO/NC



Special types and silicone free versions are available upon request

Wiring Diagram NPN NO/NC


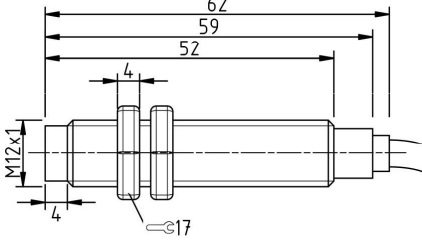


Design and technical details subject to change

HIGH TEMPERATURE INDUCTIVE PROXIMITY SENSORS

Sensing Distance: 4mm - Housing Diameter: M12


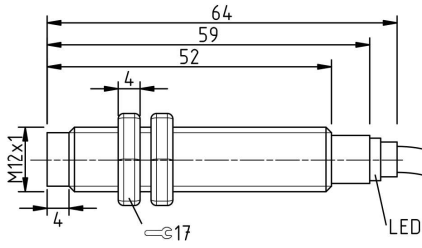


Dimensions are in mm.

Part Numbers:	
PNP/NO	SIHTM-912-104
PNP/NC	SIHTM-912-108
NPN/NO	SIHTM-912-103
NPN/NC	SIHTM-912-107

Technical Data:	
Mounting:	Unshielded
Sensing range in mm:	4
Supply voltage:	10-35 VDC
Output function:	N.O. or N.C.
Load current:	120 mA up to 266 °F (130 °C), 70 mA up to 302 °F (150 °C)
Switching Frequency:	500 Hz
Short circuit limit:	400 mA
Cable:	Silicone
Operating temperature:	-25 to +150 °C
Target size:	12 x 12 x 1 mm ST37
Hysteresis:	3 to 15 %
LED:	No
Options:	Cable length, Cable type

Dimensions are in mm.

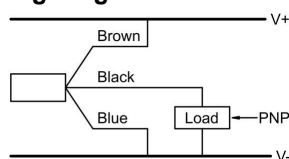
Part Numbers:	
PNP/NO	SIHTM-912-104-LED
PNP/NC	SIHTM-912-108-LED
NPN/NO	SIHTM-912-103-LED
NPN/NC	SIHTM-912-107-LED

Technical Data:		with LED
Mounting:	Unshielded	
Sensing range in mm:	4	
Supply voltage:	10-35 VDC	
Output function:	N.O. or N.C.	
Load current:	120 mA	
Switching Frequency:	500 Hz	
Short circuit limit:	400 mA	
Cable:	Silicone	
Operating temperature:	-25 to +130 °C	
Target size:	12 x 12 x 1 mm ST37	
Hysteresis:	3 to 15 %	
LED:	Yes	
Options:	Cable length, Cable type	

These sensors share the following specifications:

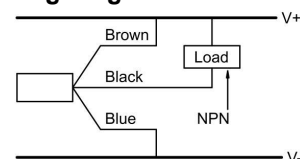
- | | | | | | |
|---|-----------------------|-----------------------|-----------------------|------------------|--|
| <ul style="list-style-type: none"> * The EMC (Electromagnetic Compatibility) resistance of the switches: <table style="width: 100%; border: none;"> <tr> <td style="width: 50%;">IEC 61000-4-2 Level 2</td> <td style="width: 50%;">IEC 61000-4-4 Level 2</td> </tr> <tr> <td>IEC 61000-4-3 Level 2</td> <td>IEC 60255-5 1 kV</td> </tr> </table> * Sensing range can vary +/-10 %. * Voltage spikes (300 V for 1 ms, 10 Hz) * All standard cables are 3 x 0.25 mm² and a length of 2 m +/-5 %. * Output capacity is 100 nF. * Storage temperature -13 °F to + 176 °F (-25 °C to 80 °C). * Relative humidity is 100 %. | IEC 61000-4-2 Level 2 | IEC 61000-4-4 Level 2 | IEC 61000-4-3 Level 2 | IEC 60255-5 1 kV | <ul style="list-style-type: none"> * Vibration resistant to 1 mm amplitude at 55 Hz. * Shock resistant to 10 g for a period of 11 ms. * Degree of protection (DIN 40 050) is IP67 (higher IP options may be available). * Reverse polarity protection is incorporated on the supply voltage. * Load resistor of 100 kOhm is incorporated. * Leakage current is 4 mA at 24 V supply voltage. * Residual ripple is 15 %. * Voltage drop is approximately 2 V when sensor is on. * Sensing face material is: LPC-Vectra. |
| IEC 61000-4-2 Level 2 | IEC 61000-4-4 Level 2 | | | | |
| IEC 61000-4-3 Level 2 | IEC 60255-5 1 kV | | | | |

Wiring Diagram PNP NO/NC



Special types and silicone free versions are available upon request

Wiring Diagram NPN NO/NC



Design and technical details subject to change


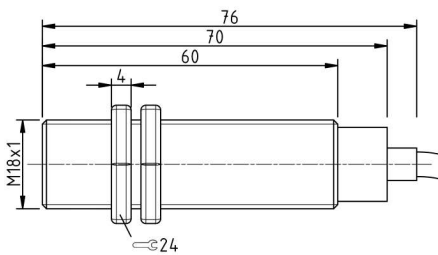
Schlüter Automation und Sensorik GmbH
 Bergstr. 2
 D-79674 Todtnau
 Germany

Tel.: +49 7671 99256-0
 Fax: +49 7671 99256-50
 www.schlüter-automation.de
 mail@schlüter-automation.de

HIGH TEMPERATURE INDUCTIVE PROXIMITY SENSORS

Sensing Distance: 5mm - Housing Diameter: M18


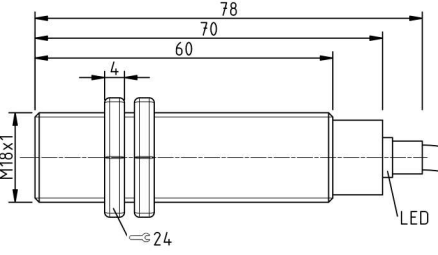


Dimensions are in mm.

Part Numbers:	
PNP/NO	SIHTM-918-102
PNP/NC	SIHTM-918-106
NPN/NO	SIHTM-918-101
NPN/NC	SIHTM-918-105

Technical Data:	
Mounting:	Shielded
Sensing range in mm:	5
Supply voltage:	10-35 VDC
Output function:	N.O. or N.C.
Load current:	120 mA
Switching Frequency:	400 Hz
Short circuit limit:	200 mA
Cable:	Silicone
Operating temperature:	-40 to +180 °C
Target size:	18 x 18 x 1 mm ST37
Hysteresis:	2 to 20 %
LED:	No
Options:	Cable length, Cable type

Dimensions are in mm.

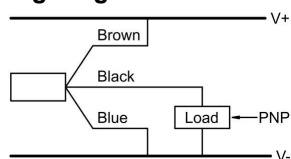
Part Numbers:	
PNP/NO	SIHTM-918-102-LED
PNP/NC	SIHTM-918-106-LED
NPN/NO	SIHTM-918-101-LED
NPN/NC	SIHTM-918-105-LED

Technical Data:		with LED
Mounting:	Shielded	
Sensing range in mm:	5	
Supply voltage:	10-35 VDC	
Output function:	N.O. or N.C.	
Load current:	120 mA	
Switching Frequency:	400 Hz	
Short circuit limit:	200 mA	
Cable:	Silicone	
Operating temperature:	-25 to +130 °C	
Target size:	18 x 18 x 1 mm ST37	
Hysteresis:	2 to 20 %	
LED:	Yes	
Options:	Cable length, Cable type	

These sensors share the following specifications:

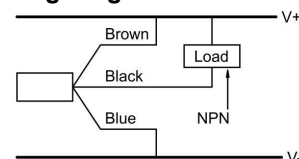
- | | | |
|---|---|---|
| * The EMC (Electromagnetic Compatibility) resistance of the switches:
IEC 61000-4-2 Level 2
IEC 61000-4-3 Level 2 | IEC 61000-4-4 Level 2
IEC 60255-5 1 kV | * Vibration resistant to 1 mm amplitude at 55 Hz.
* Shock resistant to 10 g for a period of 11 ms.
* Degree of protection (DIN 40 050) is IP67 (higher IP options may be available).
* Reverse polarity protection is incorporated on the supply voltage.
* Load resistor of 100 kOhm is incorporated.
* Leakage current is 4 mA at 24 V supply voltage.
* Residual ripple is 15 %. |
| * Sensing range can vary +/-10 %.
* Voltage spikes (300 V for 1 ms, 10 Hz)
* All standard cables are 3 x 0.25 mm ² and a length of 2 m +/-5 %.
* Output capacity is 100 nF.
* Storage temperature -13 °F to + 176 °F (-25 °C to 80 °C).
* Relative humidity is 100 %. | | * Voltage drop is approximately 2 V when sensor is on.
* Sensing face material is: LPC-Vectra. |

Wiring Diagram PNP NO/NC



Special types and silicone free versions are available upon request

Wiring Diagram NPN NO/NC




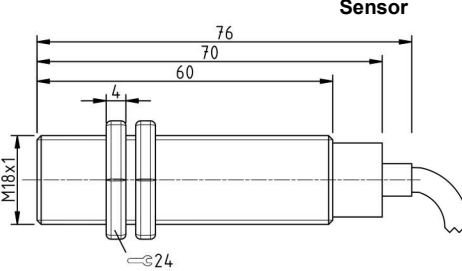
Design and technical details subject to change

HIGH TEMPERATURE INDUCTIVE PROXIMITY SENSORS

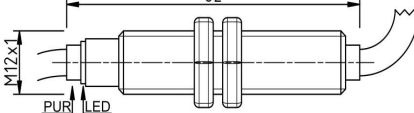
Sensing Distance: 5mm - Housing Diameter: M18







Sensor




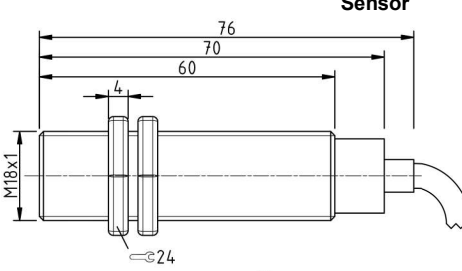
Amplifier

Dimensions are in mm.

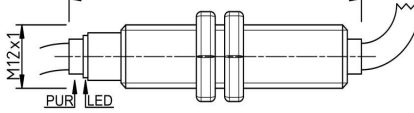
Part Numbers:	
PNP/NO	SIHTM-918-142-L70-230
PNP/NC	SIHTM-918-146-L70-230
NPN/NO	SIHTM-918-141-L70-230
NPN/NC	SIHTM-918-145-L70-230

Technical Data:	External amplifier version
Mounting:	Shielded
Sensing range in mm:	5
Supply voltage:	10-35 VDC
Output function:	N.O. or N.C.
Load current:	120 mA
Switching Frequency:	400 Hz
Short circuit limit:	200 mA
Cable:	Sensor: PTFE, Amplifier: PUR
Sensor operating temp.:	-25 to +230 °C (Head only)
Target size:	18 x 18 x 1 mm ST37
Hysteresis:	2 to 20 %
LED:	Yes (on amplifier)
Options:	Cable length, Cable type





Sensor



Amplifier

Dimensions are in mm.

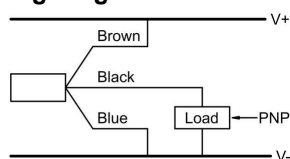
Part Numbers:	
PNP/NO	SIHTM-918-142-L70-250
PNP/NC	SIHTM-918-146-L70-250
NPN/NO	SIHTM-918-141-L70-250
NPN/NC	SIHTM-918-145-L70-250

Technical Data:	External amplifier version
Mounting:	Shielded
Sensing range in mm:	5
Supply voltage:	10-35 VDC
Output function:	N.O. or N.C.
Load current:	120 mA
Switching Frequency:	400 Hz
Short circuit limit:	200 mA
Cable:	Sensor: PTFE, Amplifier: PUR
Sensor operating temp.:	-25 to +250 °C (Head only)
Target size:	18 x 18 x 1 mm ST37
Hysteresis:	2 to 20 %
LED:	Yes (on amplifier)
Options:	Cable length, Cable type

These sensors share the following specifications:

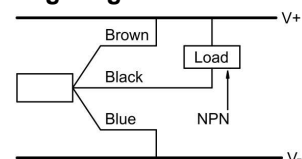
* The EMC (Electromagnetic Compatibility) resistance of the switches: IEC 61000-4-2 Level 2 IEC 61000-4-3 Level 2	IEC 61000-4-4 Level 2 IEC 60255-5 1 kV	* Shock resistant to 10 g for a period of 11 ms.
* Sensing range can vary +/-10 %.		* Degree of protection (DIN 40 050) is IP67 (higher IP options may be available).
* Voltage spikes (300 V for 1 ms, 10 Hz)		* Reverse polarity protection is incorporated on the supply voltage.
* All standard cables are 3 x 0.25 mm ² and a length of 2 m +/- 5 %.		* Load resistor of 100 kOhm is incorporated.
* Output capacity is 100 nF.		* Leakage current is 4 mA at 24 V supply voltage.
* Storage temperature -13 °F to + 176 °F (-25 °C to 80 °C).		* Residual ripple is 15 %.
* Relative humidity is 100 %.		* Voltage drop is approximately 2 V when sensor is on.
* Vibration resistant to 1 mm amplitude at 55 Hz.		* Sensing face material is: LPC-Vectra.
		* Temperature specification for external amplifier: +14 to +158°F (-10 °C to +70 °C).

Wiring Diagram PNP NO/NC



Special types and silicone free versions are available upon request

Wiring Diagram NPN NO/NC



Design and technical details subject to change

HIGH TEMPERATURE INDUCTIVE PROXIMITY SENSORS

Sensing Distance: 5mm - Housing Diameter: M18



Dimensions are in mm.

Part Numbers:	
PNP/NO	SIHTM-918-142-L36-230
PNP/NC	SIHTM-918-146-L36-230
NPN/NO	SIHTM-918-141-L36-230
NPN/NC	SIHTM-918-145-L36-230

Technical Data:	External amplifier version
Mounting:	Shielded
Sensing range in mm:	5
Supply voltage:	10-35 VDC
Output function:	N.O. or N.C.
Load current:	120 mA
Switching Frequency:	400 Hz
Short circuit limit:	200 mA
Cable:	Sensor: PTFE, Amplifier: PUR
Sensor operating temp.:	-25 to +230 °C (Head only)
Target size:	18 x 18 x 1 mm ST37
Hysteresis:	2 to 20 %
LED:	Yes (on amplifier)
Options:	Cable length, Cable type

Dimensions are in mm.

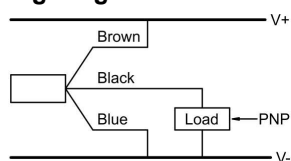
Part Numbers:	
PNP/NO	SIHTM-918-142-L36-250
PNP/NC	SIHTM-918-146-L36-250
NPN/NO	SIHTM-918-141-L36-250
NPN/NC	SIHTM-918-145-L36-250

Technical Data:	External amplifier version
Mounting:	Shielded
Sensing range in mm:	5
Supply voltage:	10-35 VDC
Output function:	N.O. or N.C.
Load current:	120 mA
Switching Frequency:	400 Hz
Short circuit limit:	200 mA
Cable:	Sensor: PTFE, Amplifier: PUR
Sensor operating temp.:	-25 to +250 °C (Head only)
Target size:	18 x 18 x 1 mm ST37
Hysteresis:	2 to 20 %
LED:	Yes (on amplifier)
Options:	Cable length, Cable type

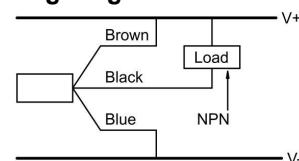
These sensors share the following specifications:

- | | | | | | |
|--|-----------------------|-----------------------|-----------------------|------------------|---|
| <ul style="list-style-type: none"> * The EMC (Electromagnetic Compatibility) resistance of the switches: <table style="width: 100%; border: none;"> <tr> <td>IEC 61000-4-2 Level 2</td> <td>IEC 61000-4-4 Level 2</td> </tr> <tr> <td>IEC 61000-4-3 Level 2</td> <td>IEC 60255-5 1 kV</td> </tr> </table> * Sensing range can vary +/-10 %. * Voltage spikes (300 V for 1 ms, 10 Hz) * All standard cables are 3 x 0.25 mm² and a length of 2 m +/-5 %. * Output capacity is 100 nF. * Storage temperature -13 °F to + 176 °F (-25 °C to 80 °C). * Relative humidity is 100 %. * Vibration resistant to 1 mm amplitude at 55 Hz. | IEC 61000-4-2 Level 2 | IEC 61000-4-4 Level 2 | IEC 61000-4-3 Level 2 | IEC 60255-5 1 kV | <ul style="list-style-type: none"> * Shock resistant to 10 g for a period of 11 ms. * Degree of protection (DIN 40 050) is IP67 (higher IP options may be available). * Reverse polarity protection is incorporated on the supply voltage. * Load resistor of 100 kOhm is incorporated. * Leakage current is 4 mA at 24 V supply voltage. * Residual ripple is 15 %. * Voltage drop is approximately 2 V when sensor is on. * Sensing face material is: LPC-Vectra. * Temperature specification for external amplifier: +14 to +158°F (-10 °C to 70 °C). |
| IEC 61000-4-2 Level 2 | IEC 61000-4-4 Level 2 | | | | |
| IEC 61000-4-3 Level 2 | IEC 60255-5 1 kV | | | | |

Wiring Diagram PNP NO/NC



Wiring Diagram NPN NO/NC




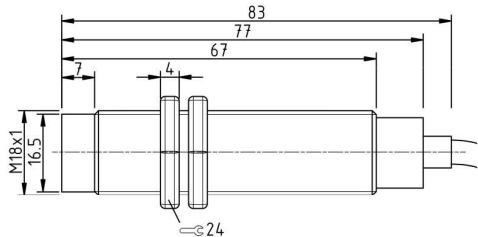
Special types and silicone free versions are available upon request

Design and technical details subject to change

HIGH TEMPERATURE INDUCTIVE PROXIMITY SENSORS

Sensing Distance: 8mm - Housing Diameter: M18


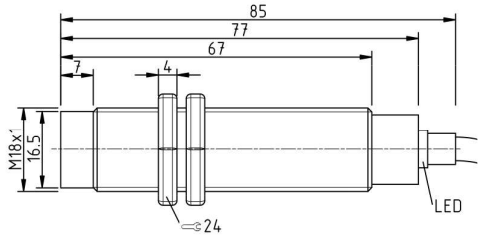


Dimensions are in mm.

Part Numbers:	
PNP/NO	SIHTM-918-106
PNP/NC	SIHTM-918-108
NPN/NO	SIHTM-918-105
NPN/NC	SIHTM-918-107

Technical Data:	
Mounting:	Unshielded
Sensing range in mm:	8
Supply voltage:	10-35 VDC
Output function:	N.O. or N.C.
Load current:	120 mA
Switching Frequency:	400 Hz
Short circuit limit:	200 mA
Cable:	Silicone
Operating temperature:	-25 to +180 °C
Target size:	18 x 18 x 1 mm ST37
Hysteresis:	3 to 15 %
LED:	No
Options:	Cable length, Cable type

Dimensions are in mm.

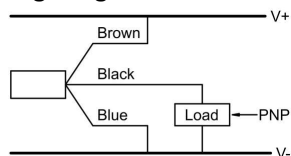
Part Numbers:	
PNP/NO	SIHTM-918-106-LED
PNP/NC	SIHTM-918-108-LED
NPN/NO	SIHTM-918-105-LED
NPN/NC	SIHTM-918-107-LED

Technical Data:		with LED
Mounting:	Unshielded	
Sensing range in mm:	8	
Supply voltage:	10-35 VDC	
Output function:	N.O. or N.C.	
Load current:	120 mA	
Switching Frequency:	400 Hz	
Short circuit limit:	200 mA	
Cable:	Silicone	
Operating temperature:	-25 to +130 °C	
Target size:	18 x 18 x 1 mm ST37	
Hysteresis:	3 to 15 %	
LED:	Yes	
Options:	Cable length, Cable type	

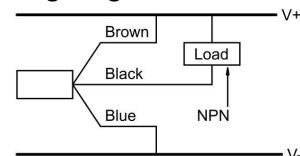
These sensors share the following specifications:

- * The EMC (Electromagnetic Compatibility) resistance of the switches:
 - IEC 61000-4-2 Level 2
 - IEC 61000-4-3 Level 2
 - IEC 61000-4-4 Level 2
 - IEC 60255-5 1 kV
- * Sensing range can vary +/-10 %.
- * Voltage spikes (300 V for 1 ms, 10 Hz)
- * All standard cables are 3 x 0.25 mm² and a length of 2 m +/-5 %.
- * Output capacity is 100 nF.
- * Storage temperature -13 °F to + 176 °F (-25 °C to 80 °C).
- * Relative humidity is 100 %.
- * Vibration resistant to 1 mm amplitude at 55 Hz.
- * Shock resistant to 10 g for a period of 11 ms.
- * Degree of protection (DIN 40 050) is IP67 (higher IP options may be available).
- * Reverse polarity protection is incorporated on the supply voltage.
- * Load resistor of 100 kOhm is incorporated.
- * Leakage current is 4 mA at 24 V supply voltage.
- * Residual ripple is 15 %.
- * Voltage drop is approximately 2 V when sensor is on.
- * Sensing face material is: LPC-Vectra.

Wiring Diagram PNP NO/NC



Wiring Diagram NPN NO/NC




Special types and silicone free versions are available upon request

Design and technical details subject to change

HIGH TEMPERATURE INDUCTIVE PROXIMITY SENSORS

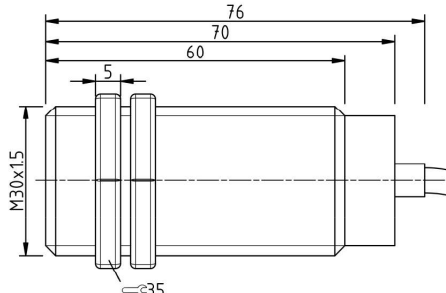
Sensing Distance: 10mm - Housing Diameter: M30






Dimensions are in mm.

Part Numbers:	
PNP/NO	SIHTM-930-102
PNP/NC	SIHTM-930-106
NPN/NO	SIHTM-930-101
NPN/NC	SIHTM-930-105

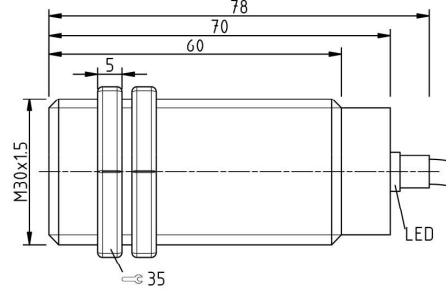


Technical Data:	
Mounting:	Shielded
Sensing range in mm:	10
Supply voltage:	10-35 VDC
Output function:	N.O. or N.C.
Load current:	120 mA
Switching Frequency:	200 Hz
Short circuit limit:	200 mA
Cable:	Silicone
Operating temperature:	-25 to +180 °C
Target size:	30 x 30 x 1 mm ST37
Hysteresis:	3 to 15 %
LED:	No
Options:	Cable length, Cable type, Connector



Dimensions are in mm.

Part Numbers:	
PNP/NO	SIHTM-930-102-LED
PNP/NC	SIHTM-930-106-LED
NPN/NO	SIHTM-930-101-LED
NPN/NC	SIHTM-930-105-LED

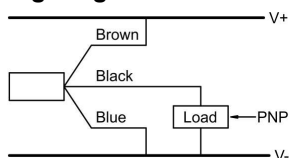


Technical Data:		with LED
Mounting:	Shielded	
Sensing range in mm:	10	
Supply voltage:	10-35 VDC	
Output function:	N.O. or N.C.	
Load current:	120 mA	
Switching Frequency:	200 Hz	
Short circuit limit:	200 mA	
Cable:	Silicone	
Operating temperature:	-25 to +130 °C	
Target size:	30 x 30 x 1 mm ST37	
Hysteresis:	3 to 15 %	
LED:	Yes	
Options:	Cable length, Cable type, Connector	

These sensors share the following specifications:

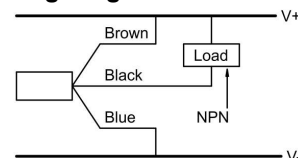
- | | | |
|---|---|--|
| * The EMC (Electromagnetic Compatibility) resistance of the switches:
IEC 61000-4-2 Level 2
IEC 61000-4-3 Level 2 | IEC 61000-4-4 Level 2
IEC 60255-5 1 kV | * Vibration resistant to 1 mm amplitude at 55 Hz.
* Shock resistant to 10 g for a period of 11 ms.
* Degree of protection (DIN 40 050) is IP67 (higher IP options may be available).
* Reverse polarity protection is incorporated on the supply voltage.
* Load resistor of 100 kOhm is incorporated.
* Leakage current is 4 mA at 24 V supply voltage.
* Residual ripple is 15 %.
* Voltage drop is approximately 2 V when sensor is on.
* Sensing face material is: LPC-Vectra. |
| * Sensing range can vary +/-10 %. | | |
| * Voltage spikes (300 V for 1 ms, 10 Hz) | | |
| * All standard cables are 3 x 0.25 mm ² and a length of 2 m +/-5 %. | | |
| * Output capacity is 100 nF. | | |
| * Storage temperature -13 °F to + 176 °F (-25 °C to 80 °C). | | |
| * Relative humidity is 100 %. | | |

Wiring Diagram PNP NO/NC



Special types and silicone free versions are available upon request

Wiring Diagram NPN NO/NC



Design and technical details subject to change

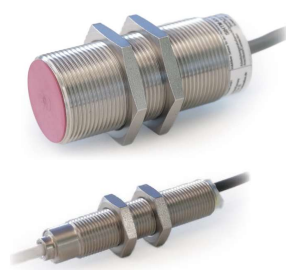
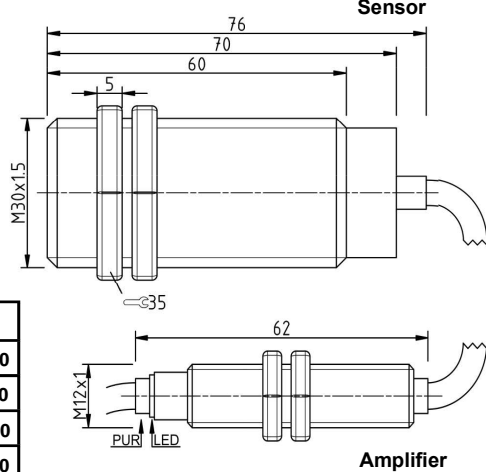
Schlüter Automation und Sensorik GmbH
Bergstr. 2
D-79674 Todtnau
Germany

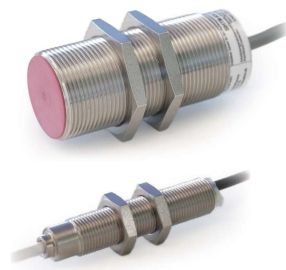
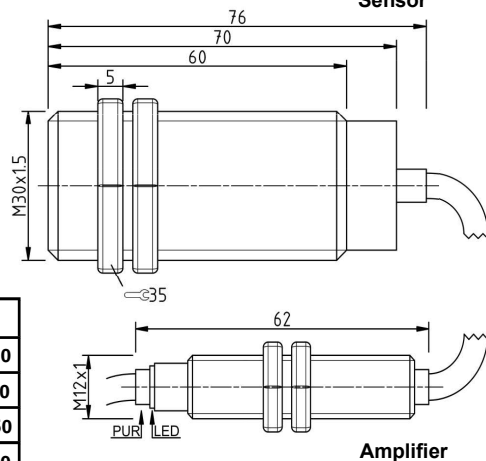
Tel.: +49 7671 99256-0
Fax: +49 7671 99256-50
www.schlüter-automation.de
mail@schlüter-automation.de

HIGH TEMPERATURE INDUCTIVE PROXIMITY SENSORS

Sensing Distance: 10mm - Housing Diameter: M30



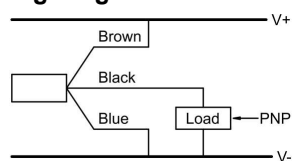
 <p>Dimensions are in mm.</p>		Technical Data:	External amplifier version																								
		<table border="1"> <tr><td>Mounting:</td><td>Shielded</td></tr> <tr><td>Sensing range in mm:</td><td>10</td></tr> <tr><td>Supply voltage:</td><td>10-35 VDC</td></tr> <tr><td>Output function:</td><td>N.O. or N.C.</td></tr> <tr><td>Load current:</td><td>120 mA</td></tr> <tr><td>Switching Frequency:</td><td>200 Hz</td></tr> <tr><td>Short circuit limit:</td><td>200 mA</td></tr> <tr><td>Cable:</td><td>Sensor: PTFE, Amplifier: PUR</td></tr> <tr><td>Sensor operating temp.:</td><td>-25 to +230 °C (Head only)</td></tr> <tr><td>Target size:</td><td>30 x 30 x 1 mm ST37</td></tr> <tr><td>Hysteresis:</td><td>3 to 15 %</td></tr> <tr><td>LED:</td><td>Yes (on amplifier)</td></tr> <tr><td>Options:</td><td>Cable length, Cable type</td></tr> </table>	Mounting:	Shielded	Sensing range in mm:	10	Supply voltage:	10-35 VDC	Output function:	N.O. or N.C.	Load current:	120 mA	Switching Frequency:	200 Hz	Short circuit limit:	200 mA	Cable:	Sensor: PTFE, Amplifier: PUR	Sensor operating temp.:	-25 to +230 °C (Head only)	Target size:	30 x 30 x 1 mm ST37	Hysteresis:	3 to 15 %	LED:	Yes (on amplifier)	Options:
Mounting:	Shielded																										
Sensing range in mm:	10																										
Supply voltage:	10-35 VDC																										
Output function:	N.O. or N.C.																										
Load current:	120 mA																										
Switching Frequency:	200 Hz																										
Short circuit limit:	200 mA																										
Cable:	Sensor: PTFE, Amplifier: PUR																										
Sensor operating temp.:	-25 to +230 °C (Head only)																										
Target size:	30 x 30 x 1 mm ST37																										
Hysteresis:	3 to 15 %																										
LED:	Yes (on amplifier)																										
Options:	Cable length, Cable type																										
<table border="1"> <tr><th colspan="2">Part Numbers:</th></tr> <tr><td>PNP/NO</td><td>SIHTM-930-142-L70-230</td></tr> <tr><td>PNP/NC</td><td>SIHTM-930-146-L70-230</td></tr> <tr><td>NPN/NO</td><td>SIHTM-930-141-L70-230</td></tr> <tr><td>NPN/NC</td><td>SIHTM-930-145-L70-230</td></tr> </table>		Part Numbers:		PNP/NO	SIHTM-930-142-L70-230	PNP/NC	SIHTM-930-146-L70-230	NPN/NO	SIHTM-930-141-L70-230	NPN/NC	SIHTM-930-145-L70-230																
Part Numbers:																											
PNP/NO	SIHTM-930-142-L70-230																										
PNP/NC	SIHTM-930-146-L70-230																										
NPN/NO	SIHTM-930-141-L70-230																										
NPN/NC	SIHTM-930-145-L70-230																										

 <p>Dimensions are in mm.</p>		Technical Data:	External amplifier version																								
		<table border="1"> <tr><td>Mounting:</td><td>Shielded</td></tr> <tr><td>Sensing range in mm:</td><td>10</td></tr> <tr><td>Supply voltage:</td><td>10-35 VDC</td></tr> <tr><td>Output function:</td><td>N.O. or N.C.</td></tr> <tr><td>Load current:</td><td>120 mA</td></tr> <tr><td>Switching Frequency:</td><td>200 Hz</td></tr> <tr><td>Short circuit limit:</td><td>200 mA</td></tr> <tr><td>Cable:</td><td>Sensor: PTFE, Amplifier: PUR</td></tr> <tr><td>Sensor operating temp.:</td><td>-25 to +250 °C (Head only)</td></tr> <tr><td>Target size:</td><td>30 x 30 x 1 mm ST37</td></tr> <tr><td>Hysteresis:</td><td>3 to 15 %</td></tr> <tr><td>LED:</td><td>Yes (on amplifier)</td></tr> <tr><td>Options:</td><td>Cable length, Cable type</td></tr> </table>	Mounting:	Shielded	Sensing range in mm:	10	Supply voltage:	10-35 VDC	Output function:	N.O. or N.C.	Load current:	120 mA	Switching Frequency:	200 Hz	Short circuit limit:	200 mA	Cable:	Sensor: PTFE, Amplifier: PUR	Sensor operating temp.:	-25 to +250 °C (Head only)	Target size:	30 x 30 x 1 mm ST37	Hysteresis:	3 to 15 %	LED:	Yes (on amplifier)	Options:
Mounting:	Shielded																										
Sensing range in mm:	10																										
Supply voltage:	10-35 VDC																										
Output function:	N.O. or N.C.																										
Load current:	120 mA																										
Switching Frequency:	200 Hz																										
Short circuit limit:	200 mA																										
Cable:	Sensor: PTFE, Amplifier: PUR																										
Sensor operating temp.:	-25 to +250 °C (Head only)																										
Target size:	30 x 30 x 1 mm ST37																										
Hysteresis:	3 to 15 %																										
LED:	Yes (on amplifier)																										
Options:	Cable length, Cable type																										
<table border="1"> <tr><th colspan="2">Part Numbers:</th></tr> <tr><td>PNP/NO</td><td>SIHTM-930-142-L70-250</td></tr> <tr><td>PNP/NC</td><td>SIHTM-930-146-L70-250</td></tr> <tr><td>NPN/NO</td><td>SIHTM-930-141-L70-250</td></tr> <tr><td>NPN/NC</td><td>SIHTM-930-145-L70-250</td></tr> </table>		Part Numbers:		PNP/NO	SIHTM-930-142-L70-250	PNP/NC	SIHTM-930-146-L70-250	NPN/NO	SIHTM-930-141-L70-250	NPN/NC	SIHTM-930-145-L70-250																
Part Numbers:																											
PNP/NO	SIHTM-930-142-L70-250																										
PNP/NC	SIHTM-930-146-L70-250																										
NPN/NO	SIHTM-930-141-L70-250																										
NPN/NC	SIHTM-930-145-L70-250																										

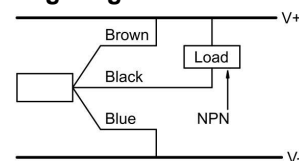
These sensors share the following specifications:

- | | |
|--|---|
| <ul style="list-style-type: none"> * The EMC (Electromagnetic Compatibility) resistance of the switches: <ul style="list-style-type: none"> IEC 61000-4-2 Level 2 IEC 61000-4-3 Level 2 * Sensing range can vary +/-10 %. * Voltage spikes (300 V for 1 ms, 10 Hz) * All standard cables are 3 x 0.25 mm² and a length of 2 m +/-5 %. * Output capacity is 100 nF. * Storage temperature -13 °F to + 176 °F (-25 °C to 80 °C). * Relative humidity is 100 %. * Vibration resistant to 1 mm amplitude at 55 Hz. | <ul style="list-style-type: none"> * Shock resistant to 10 g for a period of 11 ms. * Degree of protection (DIN 40 050) is IP67 (higher IP options may be available). * Reverse polarity protection is incorporated on the supply voltage. * Load resistor of 100 kOhm is incorporated. * Leakage current is 4 mA at 24 V supply voltage. * Residual ripple is 15 %. * Voltage drop is approximately 2 V when sensor is on. * Sensing face material is: LPC-Vectra. * Temperature specification for external amplifier: +14 to +158°F (-10 °C to 70 °C). |
|--|---|

Wiring Diagram PNP NO/NC



Wiring Diagram NPN NO/NC

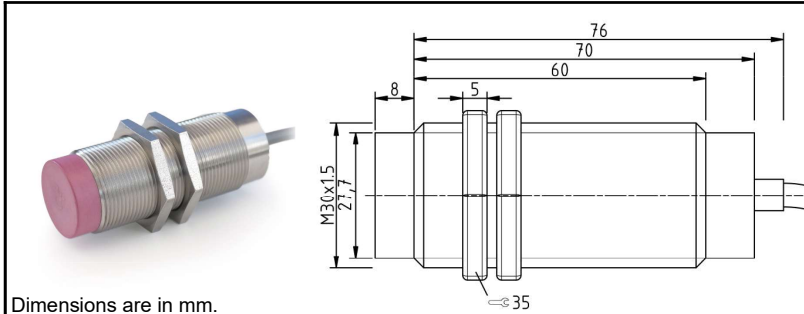


Special types and silicone free versions are available upon request

Design and technical details subject to change

HIGH TEMPERATURE INDUCTIVE PROXIMITY SENSORS

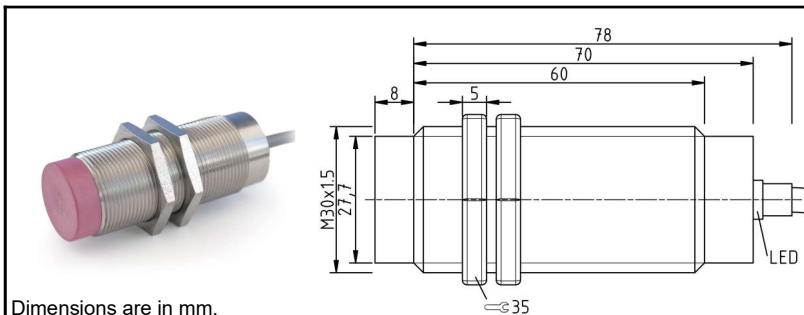
Sensing Distance: 15mm - Housing Diameter: M30



Dimensions are in mm.

Part Numbers:	
PNP/NO	SIHTM-930-104
PNP/NC	SIHTM-930-108
NPN/NO	SIHTM-930-103
NPN/NC	SIHTM-930-107

Technical Data:	
Mounting:	Unshielded
Sensing range in mm:	15
Supply voltage:	10-35 VDC
Output function:	N.O. or N.C.
Load current:	120 mA
Switching Frequency:	200 Hz
Short circuit limit:	200 mA
Cable:	Silicone
Operating temperature:	-25 to +180 °C
Target size:	30 x 30 x 1 mm ST37
Hysteresis:	3 to 15 %
LED:	No
Options:	Cable length, Cable type, Connector



Dimensions are in mm.

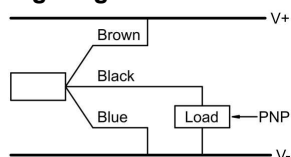
Part Numbers:	
PNP/NO	SIHTM-930-104-LED
PNP/NC	SIHTM-930-108-LED
NPN/NO	SIHTM-930-103-LED
NPN/NC	SIHTM-930-107-LED

Technical Data:		with LED
Mounting:	Unshielded	
Sensing range in mm:	15	
Supply voltage:	10-35 VDC	
Output function:	N.O. or N.C.	
Load current:	120 mA	
Switching Frequency:	200 Hz	
Short circuit limit:	200 mA	
Cable:	Silicone	
Operating temperature:	-25 to +130 °C	
Target size:	30 x 30 x 1 mm ST37	
Hysteresis:	3 to 15 %	
LED:	Yes	
Options:	Cable length, Cable type, Connector	

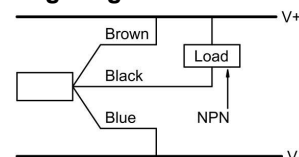
These sensors share the following specifications:

* The EMC (Electromagnetic Compatibility) resistance of the switches: IEC 61000-4-2 Level 2 IEC 61000-4-3 Level 2	IEC 61000-4-4 Level 2 IEC 60255-5 1 kV	* Vibration resistant to 1 mm amplitude at 55 Hz. * Shock resistant to 10 g for a period of 11 ms. * Degree of protection (DIN 40 050) is IP67 (higher IP options may be available). * Reverse polarity protection is incorporated on the supply voltage. * Load resistor of 100 kOhm is incorporated. * Leakage current is 4 mA at 24 V supply voltage. * Residual ripple is 15 %. * Voltage drop is approximately 2 V when sensor is on. * Sensing face material is: LPC-Vectra.
* Sensing range can vary +/-10 %. * Voltage spikes (300 V for 1 ms, 10 Hz) * All standard cables are 3 x 0.25 mm ² and a length of 2 m +/-5 %. * Output capacity is 100 nF. * Storage temperature -13 °F to + 176 °F (-25 °C to 80 °C). * Relative humidity is 100 %.		

Wiring Diagram PNP NO/NC



Wiring Diagram NPN NO/NC




Special types and silicone free versions are available upon request

Design and technical details subject to change

HIGH TEMPERATURE INDUCTIVE PROXIMITY SENSORS

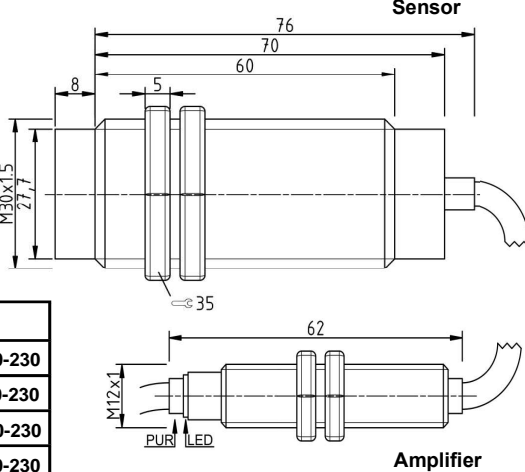
Sensing Distance: 15mm - Housing Diameter: M30





Dimensions are in mm.

Part Numbers:	
PNP/NO	SIHTM-930-144-L70-230
PNP/NC	SIHTM-930-148-L70-230
NPN/NO	SIHTM-930-143-L70-230
NPN/NC	SIHTM-930-147-L70-230



Sensor

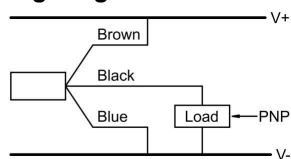
Amplifier

Technical Data:	External amplifier version
Mounting:	Unshielded
Sensing range in mm:	15
Supply voltage:	10-35 VDC
Output function:	N.O. or N.C.
Load current:	120 mA
Switching Frequency:	200 Hz
Short circuit limit:	200 mA
Cable:	Sensor: PTFE, Amplifier: PUR
Sensor operating temp.:	-25 to +230 °C (Head only)
Target size:	30 x 30 x 1 mm ST37
Hysteresis:	3 to 15 %
LED:	Yes (on amplifier)
Options:	Cable length, Cable type

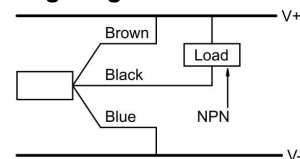
This sensor has the following specifications:

- | | |
|---|---|
| <ul style="list-style-type: none"> * The EMC (Electromagnetic Compatibility) resistance of the switches:
IEC 61000-4-2 Level 2 IEC 61000-4-4 Level 2
IEC 61000-4-3 Level 2 IEC 60255-5 1 kV * Sensing range can vary +/-10 %. * Voltage spikes (300 V for 1 ms, 10 Hz) * All standard cables are 3 x 0.25 mm² and a length of 2 m +/-5 %. * Output capacity is 100 nF. * Storage temperature -13 °F to + 176 °F (-25 °C to 80 °C). * Relative humidity is 100 %. * Vibration resistant to 1 mm amplitude at 55 Hz. | <ul style="list-style-type: none"> * Shock resistant to 10 g for a period of 11 ms. * Degree of protection (DIN 40 050) is IP67 (higher IP options may be available). * Reverse polarity protection is incorporated on the supply voltage. * Load resistor of 100 kOhm is incorporated. * Leakage current is 4 mA at 24 V supply voltage. * Residual ripple is 15 %. * Voltage drop is approximately 2 V when sensor is on. * Sensing face material is: LPC-Vectra. * Temperature specification for external amplifier:
+14 to +158°F (-10 °C to 70 °C). |
|---|---|

Wiring Diagram PNP NO/NC



Wiring Diagram NPN NO/NC



Special types and silicone free versions are available upon request

Design and technical details subject to change


Schlueter Automation und Sensorik GmbH
Bergstr. 2
D-79674 Todtnau
Germany

Tel.: +49 7671 99256-0
Fax: +49 7671 99256-50
www.schlueter-automation.de
mail@schlueter-automation.de

HIGH TEMPERATURE INDUCTIVE PROXIMITY SENSORS

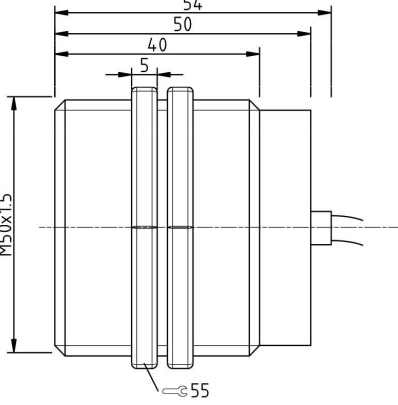
Sensing Distance: 20mm - Housing Diameter: M50






Dimensions are in mm.

Part Numbers:	
PNP/NO	SIHTM-950-102
PNP/NC	SIHTM-950-106
NPN/NO	SIHTM-950-101
NPN/NC	SIHTM-950-105

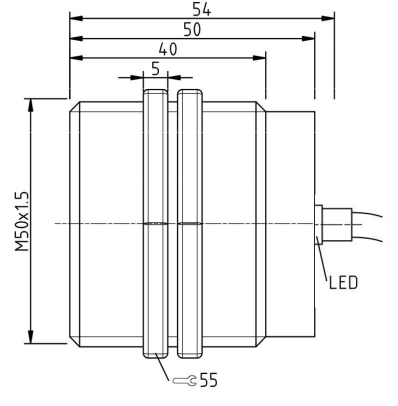


Technical Data:	
Mounting:	Shielded
Sensing range in mm:	20
Supply voltage:	10-35 VDC
Output function:	N.O. or N.C.
Load current:	120 mA
Switching Frequency:	200 Hz
Short circuit limit:	200 mA
Cable:	Silicone
Operating temperature:	-25 to +180 °C
Target size:	50 x 50 x 1 mm ST37
Hysteresis:	3 to 20 %
LED:	No
Options:	Cable length, Cable type, Connector



Dimensions are in mm.

Part Numbers:	
PNP/NO	SIHTM-950-102-LED
PNP/NC	SIHTM-950-106-LED
NPN/NO	SIHTM-950-101-LED
NPN/NC	SIHTM-950-105-LED

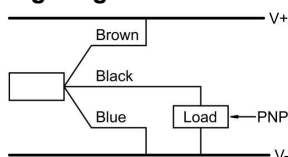


Technical Data:		with LED
Mounting:	Shielded	
Sensing range in mm:	20	
Supply voltage:	10-35 VDC	
Output function:	N.O. or N.C.	
Load current:	120 mA	
Switching Frequency:	200 Hz	
Short circuit limit:	200 mA	
Cable:	Silicone	
Operating temperature:	-25 to +130 °C	
Target size:	50 x 50 x 1 mm ST37	
Hysteresis:	3 to 20 %	
LED:	Yes	
Options:	Cable length, Cable type, Connector	

These sensors share the following specifications:

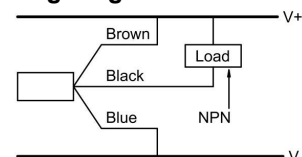
- | | |
|---|---|
| * The EMC (Electromagnetic Compatibility) resistance of the switches:
IEC 61000-4-2 Level 2 IEC 61000-4-4 Level 2
IEC 61000-4-3 Level 2 IEC 60255-5 1 kV | * Vibration resistant to 1 mm amplitude at 55 Hz.
* Shock resistant to 5 g for a period of 11 ms.
* Degree of protection (DIN 40 050) is IP67 (higher IP options may be available).
* Reverse polarity protection is incorporated on the supply voltage.
* Load resistor of 100 kOhm is incorporated.
* Leakage current is 4 mA at 24 V supply voltage.
* Residual ripple is 15 %.
* Voltage drop is approximately 2 V when sensor is on.
* Sensing face material is: LPC-Vectra. |
| * Sensing range can vary +/-10 %.
* Voltage spikes (300 V for 1 ms, 10 Hz)
* All standard cables are 3 x 0.25 mm ² and a length of 2 m +/-5 %.
* Output capacity is 100 nF.
* Storage temperature -13 °F to + 176 °F (-25 °C to 80 °C).
* Relative humidity is 100 %. | |

Wiring Diagram PNP NO/NC



Special types and silicone free versions are available upon request

Wiring Diagram NPN NO/NC




Design and technical details subject to change

HIGH TEMPERATURE INDUCTIVE PROXIMITY SENSORS

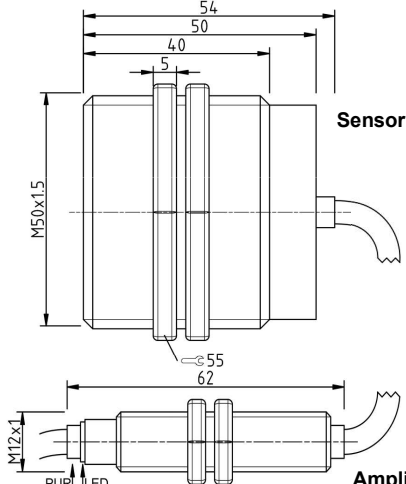
Sensing Distance: 20 mm - Housing Diameter: M50





Dimensions are in mm.


Part Numbers:	
PNP/NO	SIHTM-950-142-L50-230
PNP/NC	SIHTM-950-146-L50-230
NPN/NO	SIHTM-950-141-L50-230
NPN/NC	SIHTM-950-145-L50-230



Sensor

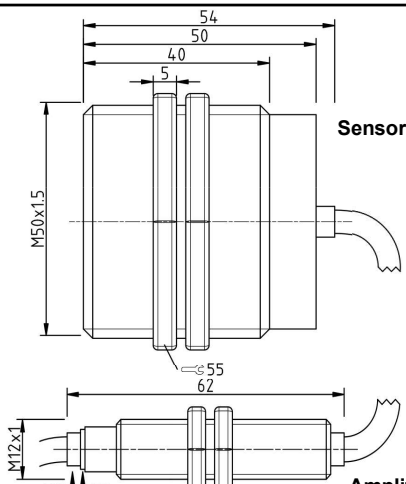
Amplifier

Technical Data:	External amplifier version
Mounting:	Shielded
Sensing range in mm:	20
Supply voltage:	10-35 VDC
Output function:	N.O. or N.C.
Load current:	120 mA
Switching Frequency:	200 Hz
Short circuit limit:	200 mA
Cable:	Sensor: PTFE, Amplifier: PUR
Sensor operating temp.:	-25 to +230 °C (Head only)
Target size:	50 x 50 x 1 mm ST37
Hysteresis:	3 to 20 %
LED:	Yes (on amplifier)
Options:	Cable length, Cable type



Dimensions are in mm.

Part Numbers:	
PNP/NO	SIHTM-950-142-L50-250
PNP/NC	SIHTM-950-146-L50-250
NPN/NO	SIHTM-950-141-L50-250
NPN/NC	SIHTM-950-145-L50-250



Sensor

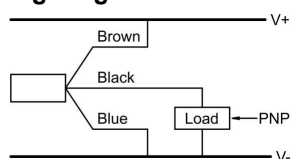
Amplifier

Technical Data:	External amplifier version
Mounting:	Shielded
Sensing range in mm:	20
Supply voltage:	10-35 VDC
Output function:	N.O. or N.C.
Load current:	120 mA
Switching Frequency:	200 Hz
Short circuit limit:	200 mA
Cable:	Sensor: PTFE, Amplifier: PUR
Sensor operating temp.:	-25 to +250 °C (Head only)
Target size:	50 x 50 x 1 mm ST37
Hysteresis:	3 to 20 %
LED:	Yes (on amplifier)
Options:	Cable length, Cable type

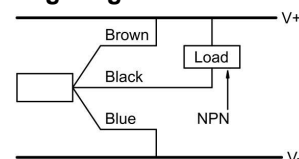
These sensors share the following specifications:

- | | | | | | |
|--|-----------------------|-----------------------|-----------------------|------------------|--|
| <ul style="list-style-type: none"> * The EMC (Electromagnetic Compatibility) resistance of the switches: <table style="width: 100%; border: none;"> <tbody> <tr> <td>IEC 61000-4-2 Level 2</td> <td>IEC 61000-4-4 Level 2</td> </tr> <tr> <td>IEC 61000-4-3 Level 2</td> <td>IEC 60255-5 1 kV</td> </tr> </tbody> </table> * Sensing range can vary +/-10 %. * Voltage spikes (300 V for 1 ms, 10 Hz) * All standard cables are 3 x 0.25 mm² and a length of 2 m +/- 5 %. * Output capacity is 100 nF. * Storage temperature -13 °F to + 176 °F (-25 °C to 80 °C). * Relative humidity is 100 %. * Vibration resistant to 1 mm amplitude at 55 Hz. | IEC 61000-4-2 Level 2 | IEC 61000-4-4 Level 2 | IEC 61000-4-3 Level 2 | IEC 60255-5 1 kV | <ul style="list-style-type: none"> * Shock resistant to 5 g for a period of 11 ms. * Degree of protection (DIN 40 050) is IP67 (higher IP options may be available). * Reverse polarity protection is incorporated on the supply voltage. * Load resistor of 100 kOhm is incorporated. * Leakage current is 4 mA at 24 V supply voltage. * Residual ripple is 15 %. * Voltage drop is approximately 2 V when sensor is on. * Sensing face material is: LPC-Vectra. * Temperature specification for external amplifier: +14 to +158°F (-10 °C to 70 °C). |
| IEC 61000-4-2 Level 2 | IEC 61000-4-4 Level 2 | | | | |
| IEC 61000-4-3 Level 2 | IEC 60255-5 1 kV | | | | |

Wiring Diagram PNP NO/NC



Wiring Diagram NPN NO/NC



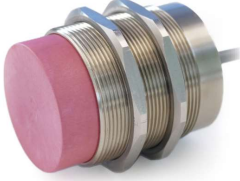
Special types and silicone free versions are available upon request

Design and technical details subject to change

HIGH TEMPERATURE INDUCTIVE PROXIMITY SENSORS

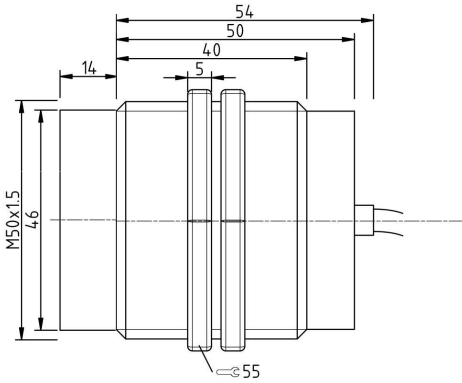
Sensing Distance: 25 mm - Housing Diameter: M50



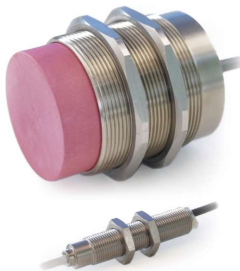


Dimensions are in mm.

Part Numbers:	
PNP/NO	SIHTM-950-104
PNP/NC	SIHTM-950-108
NPN/NO	SIHTM-950-103
NPN/NC	SIHTM-950-107

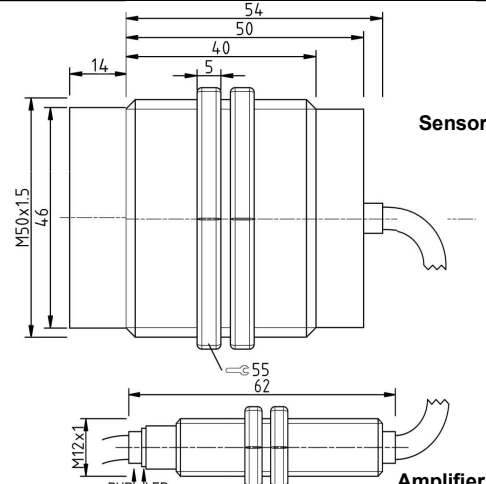


Technical Data:	
Mounting:	Unshielded
Sensing range in mm:	25
Supply voltage:	10-35 VDC
Output function:	N.O. or N.C.
Load current:	120 mA
Switching Frequency:	50 Hz
Short circuit limit:	200 mA
Cable version:	Silicone
Operating temperature:	-25 to +180 °C
Target size:	50 x 50 x 1 mm ST37
Hysteresis:	3 to 20 %
LED:	No
Options:	Cable length, Cable type, Connector



Dimensions are in mm.

Part Numbers:	
PNP/NO	SIHTM-950-144-L50-230
PNP/NC	SIHTM-950-148-L50-230
NPN/NO	SIHTM-950-143-L50-230
NPN/NC	SIHTM-950-147-L50-230

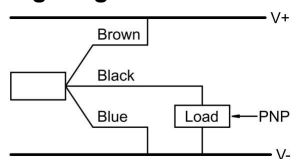


Technical Data:		External amplifier version
Mounting:	Unshielded	
Sensing range in mm:	25	
Supply voltage:	10-35 VDC	
Output function:	N.O. or N.C.	
Load current:	120 mA	
Switching Frequency:	50 Hz	
Short circuit limit:	200 mA	
Cable:	Sensor: PTFE, Amplifier: PUR	
Sensor operating temp.:	-25 to +230 °C (Head only)	
Target size:	50 x 50 x 1 mm ST37	
Hysteresis:	3 to 20 %	
LED:	Yes (on amplifier)	
Options:	Cable length, Cable type	

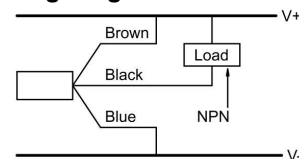
This sensor has the following specifications:

- | | | | |
|---|---|---|---|
| * The EMC (Electromagnetic Compatibility) resistance of the switches:
IEC 61000-4-2 Level 2
IEC 61000-4-3 Level 2 | IEC 61000-4-4 Level 2
IEC 60255-5 1 kV | * Shock resistant to 5 g for a period of 11 ms. | * Degree of protection (DIN 40 050) is IP67 (higher IP options may be available). |
| * Sensing range can vary +/-10 %. | | * Voltage spikes (300 V for 1 ms, 10 Hz) | * Reverse polarity protection is incorporated on the supply voltage. |
| * All standard cables are 3 x 0.25 mm ² and a length of 2 m +/-5 %. | | * Output capacity is 100 nF. | * Load resistor of 100 kOhm is incorporated. |
| * Storage temperature -13 °F to + 176 °F (-25 °C to 80 °C). | | * Relative humidity is 100 %. | * Leakage current is 4 mA at 24 V supply voltage. |
| * Vibration resistant to 1 mm amplitude at 55 Hz. | | | * Residual ripple is 15 %. |
| | | | * Voltage drop is approximately 2 V when sensor is on. |
| | | | * Sensing face material is: LPC-Vectra. |
| | | | * Temperature specification for external amplifier:
+14 to +158°F (-10 °C to 70 °C). |

Wiring Diagram PNP NO/NC



Wiring Diagram NPN NO/NC



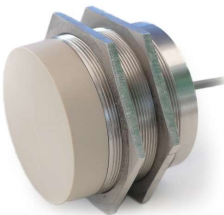
Special types and silicone free versions are available upon request

Design and technical details subject to change

HIGH TEMPERATURE INDUCTIVE PROXIMITY SENSORS

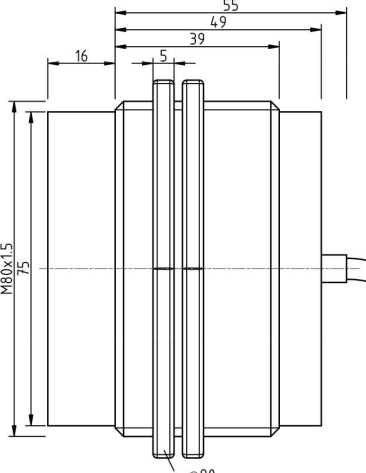
Sensing Distance: 50 mm - Housing Diameter: M80






Dimensions are in mm.

Part Numbers:	
PNP/NO	SIHTM-980-104
PNP/NC	SIHTM-980-108
NPN/NO	SIHTM-980-103
NPN/NC	SIHTM-980-107

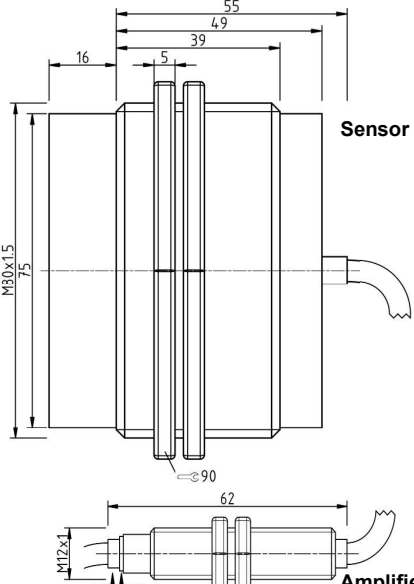


Technical Data:	
Mounting:	Unshielded
Sensing range in mm:	50
Supply voltage:	10-35 VDC
Output function:	N.O. or N.C.
Load current:	120 mA
Switching Frequency:	50 Hz
Short circuit limit:	200 mA
Cable:	Silicone
Operating temperature:	-25 to +160 °C
Target size:	80 x 80 x 1 mm ST37
Hysteresis:	3 to 20 %
LED:	No
Options:	Cable length, Cable type, Connector



Dimensions are in mm.

Part Numbers:	
PNP/NO	SIHTM-980-144-230
PNP/NC	SIHTM-980-148-230
NPN/NO	SIHTM-980-143-230
NPN/NC	SIHTM-980-147-230

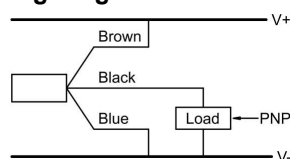


Technical Data:	External amplifier version
Mounting:	Unshielded
Sensing range in mm:	50
Supply voltage:	10-35 VDC
Output function:	N.O. or N.C.
Load current:	120 mA
Switching Frequency:	50 Hz
Short circuit limit:	200 mA
Cable:	Sensor: PTFE, Amplifier: PUR
Operating temperature:	-25 to +230 °C (Head only)
Target size:	50 x 50 x 1 mm ST37
Hysteresis:	3 to 20 %
LED:	Yes (on amplifier)
Options:	Cable length, Cable type

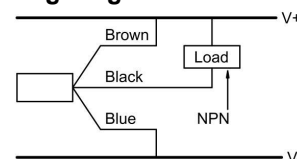
These sensors share the following specifications:

- | | | | | | |
|---|-----------------------|-----------------------|-----------------------|------------------|--|
| <ul style="list-style-type: none"> * The EMC (Electromagnetic Compatibility) resistance of the switches: <table border="0" style="width: 100%;"> <tr> <td>IEC 61000-4-2 Level 2</td> <td>IEC 61000-4-4 Level 2</td> </tr> <tr> <td>IEC 61000-4-3 Level 2</td> <td>IEC 60255-5 1 kV</td> </tr> </table> * Sensing range can vary +/-10 %. * Voltage spikes (300 V for 1 ms, 10 Hz) * All standard cables are 3 x 0.25 mm² and a length of 2 m +/-5 %. * Output capacity is 100 nF. * Storage temperature -13 °F to + 176 °F (-25 °C to 80 °C). * Relative humidity is 100 %. * Vibration resistant to 1 mm amplitude at 55 Hz. | IEC 61000-4-2 Level 2 | IEC 61000-4-4 Level 2 | IEC 61000-4-3 Level 2 | IEC 60255-5 1 kV | <ul style="list-style-type: none"> * Shock resistant to 5 g for a period of 11 ms. * Degree of protection (DIN 40 050) is IP67 (higher IP options may be available). * Reverse polarity protection is incorporated on the supply voltage. * Load resistor of 100 kOhm is incorporated. * Leakage current is 4 mA at 24 V supply voltage. * Residual ripple is 15 %. * Voltage drop is approximately 2 V when sensor is on. * Sensing face material is: LPC-Vectra. * Temperature specification for external amplifier: +14 to +158°F (-10 °C to 70 °C). |
| IEC 61000-4-2 Level 2 | IEC 61000-4-4 Level 2 | | | | |
| IEC 61000-4-3 Level 2 | IEC 60255-5 1 kV | | | | |

Wiring Diagram PNP NO/NC



Wiring Diagram NPN NO/NC



Special types and silicone free versions are available upon request

Design and technical details subject to change